



Expertise Applied | Answers Delivered

8755 W. Higgins Road
Suite 500
Chicago, IL 60631
www.littelfuse.com

Product Change Notice (PCN)

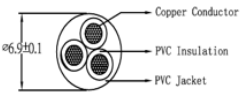
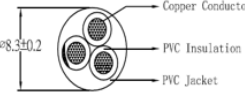


July 12th, 2022

Product Change Notification for LSP05GI and LSP10GI Module Series Cable Wire Change for Class I Luminaire Installation (X3333) and Class II Luminaire Installation (X3316). LFPCN 6047E

To whom it may concern,

Littelfuse would like to notify you of a change regarding LSP05GI and LSP10GI Module Series Cable Wire. This cable wire change will ensure LSP05GI and LSP10GI Module Series continue to meet the wire dimension requirement based on IEC 61643-11 and UL1449.

Please refer to the following cable wire change summary.

Change Description	Current		New	
	Wire Dimension	Wire Drawing	Wire Dimension	Wire Drawing
3 Cores Cable Wire change for Class I Luminaire Installation (X3333)	Wire Diameter $\varnothing = 6.9\text{mm}$ Wire Conductor = 1mm^2		Wire Diameter = 8.3mm Wire Conductor = 1.31mm^2	
2 Cores Cable Wire change for Class II Luminaire Installation (X3316)	Wire Diameter $\varnothing = 6.6\text{mm}$ Wire Conductor = 1mm^2		Wire Diameter = 7.9mm Wire Conductor = 1.31mm^2	

This cable wire change will maintain product's original electrical parameters, reliability, performance, and part number.

This change will be implemented starting from **October 17th, 2022**, during the change transition period, customers are expected to receive the products with current and new cable wire until current product inventory in Littelfuse warehouses and distribution channels are depleted.

Please see attached the affected part number list & change summary, and respond to us by **August 19th, 2022**, to acknowledge this product change notification. If we do not hear from you, we will expect that this product change notification has been accepted and no further action is required.

If you have additional questions or concerns, please contact your Regional Sales Manager.
Thank you very much for your continued support.

Best Regards,
Johnny Chang
Director, Product Management
Littelfuse, Inc.